

UTP3-SW04-FP60



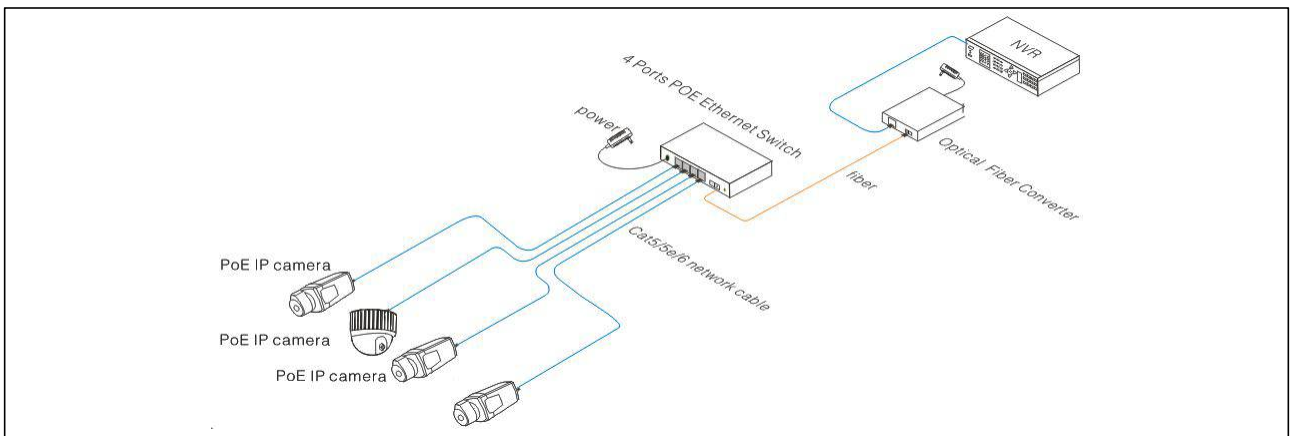
- Major ports: 1*100Mbps uplink optical port, 4 *100Mbps down link Ethernet ports;
- Special function: One key CCTV model; 1 ~ 4 downlink ports can only communicate with uplink ports;
- Transmission Distance : Ethernet port 0 ~ 100m , the furthest transmission distance could reach 250m in CCTV model; Optical port 20km;
- Standard: Meet IEEE802.3 ,IEEE802.3u,IEEE802.3 af/at standards;
- Protection: Excellent anti-thunder, anti-static and anti-interference ability;
- Appearance: Delicate design and easy installation, configure the anti-theft lock hole, guard against theft;
- Operation: Plug and Play, No Setting required.



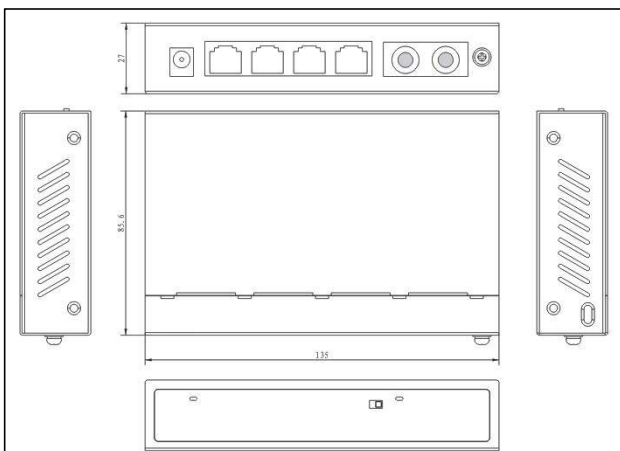
Introduction

4 ports PoE Ethernet Switch is a surveillance security Ethernet Switch which aims at Ethernet high definition surveillance, Ethernet project security system. The product fully combines the characteristic of surveillance security, provides fast packet forwarding ability and abundant backplane bandwidth, which ensures clear image and fluent transmission. ESD and surge protection circuit can improve product stability. The product supports one key CCTV model, can achieve VLAN, control the Net storm, protect the information security, prevent the viral transmission and Ethernet attack, fully satisfy the Ethernet video surveillance security system and Ethernet project needs.

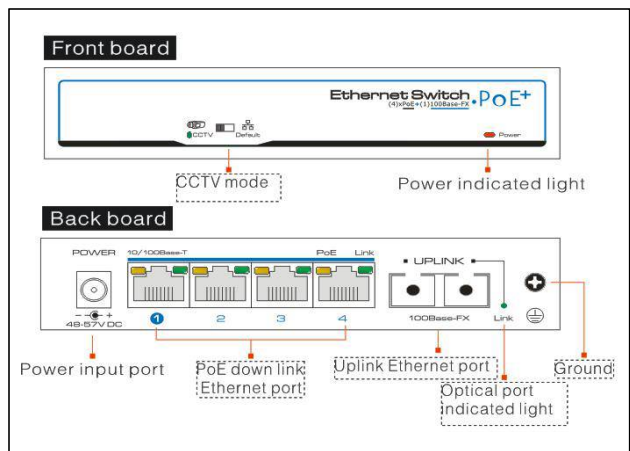
Application



Physical Features



Interface drawing



Specification

Model	UTP3-SW04-FP60
Downstream Ports	4*10/100Base-TX (PoE)
Uplink Ports	1*10/100Base-FX/SC ,Single mode of double fiber
Network Standard	IEEE802.3 、IEEE802.3u、IEEE802.3X
Switch Capacity	1Gbps
Throughput	0.74Mpps
Switch Processing Scheme	Store and Forward
Memory Buffer	768K
MAC Table	2K
PoE Standard	802.3af/at(PSE)
PoE Type	End-span
Power Pin Assignment	1/2(+), 3/6(-)
PoE Power Output	54V DC , 30 watts max
PoE Budge	60 watts max
Lightning protection	6KV Execute : IEC61000-4-5
ESD	6KV Contact discharge 8KV Air discharge Execute : IEC61000-4-2
Power Supply	DC 48V~57V
Power Dissipation	<5W
Work temperature	-10°C~55°C
Storage temperature	-40°C~85°C
Humidity(Non-condensin)	5%-95%
Dimension (L×W×H)	135mm×86mm×27mm
Weight	343g
Regulator	CE、FCC、ROHS

Package List

Designation	Quantity
UTP3-SW04-FP60	1
Power Adapter	1
Accessory	1
User Manual	1

Related Products

Designation	Model
4 Ports Full Gigabit PoE Switch	UTP3-GSW04-TP60
4 Ports Fast PoE Switch	UTP3-SW04-TP60
8 Ports Fast PoE Switch	UTP3-SW08-TP120