

## UTP3-SW04-FX



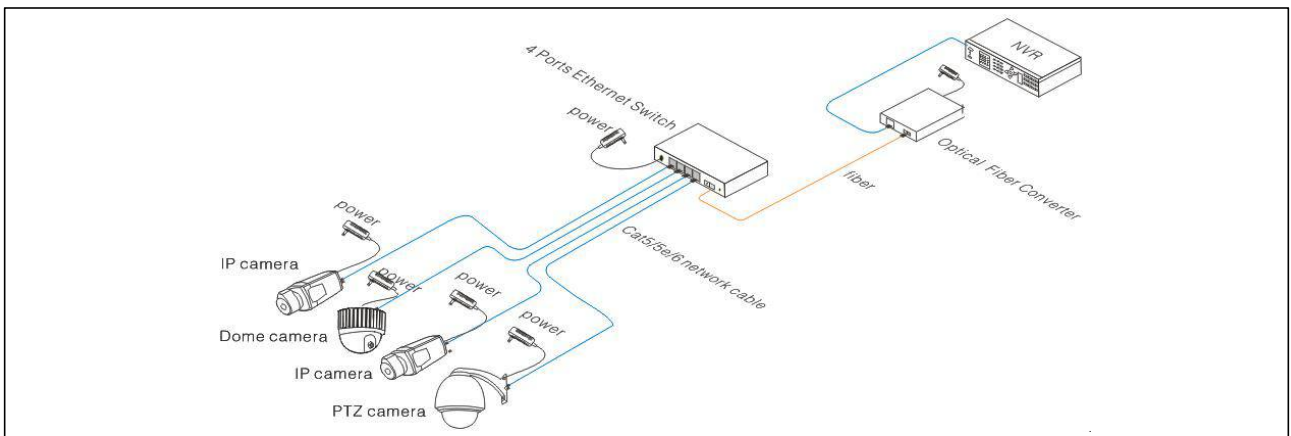
- Major ports: 1 \*100Mbps uplink optical port, 4 \*100Mbps down link Ethernet ports;
- Special function: One key CCTV model; 1 ~ 4 downlink ports can only communicate with uplink ports;
- Transmission Distance : Ethernet port 0 ~ 100m , the furthest transmission distance could reach 250m in CCTV model; Optical port 20km;
- Standard: Meet IEEE802.3 ,IEEE802.3u;
- Protection: Excellent anti-thunder, anti-static and anti-interference ability;
- Appearance: Delicate design and easy installation, configure the anti-theft lock hole, guard against theft;
- Operation: Plug and Play, No Setting required.



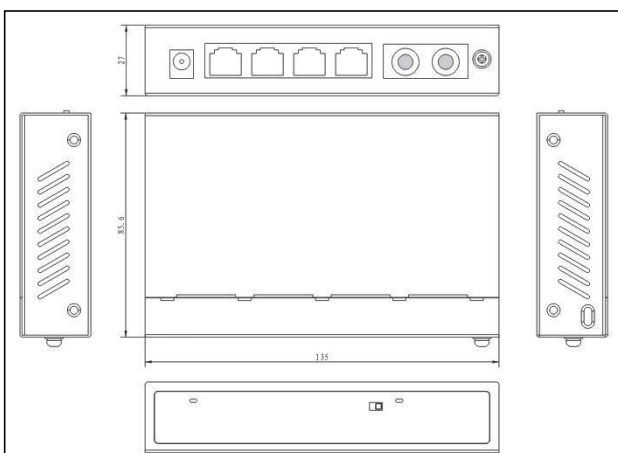
## Introduction

4 ports PoE Ethernet Switch is a security surveillance Ethernet Switch which aims at Ethernet high definition surveillance and Ethernet project security system. The product fully combines the characteristics of security surveillance, provides fast packet forwarding ability and abundant backplane bandwidth, which ensures clear image and fluent transmission. ESD and surge protection circuit can improve product stability. The product supports one key CCTV model, can achieve VLAN, control the Net storm, protect the information security, prevent the viral transmission and Ethernet attack, fully satisfy the Ethernet video security surveillance system and Ethernet project needs.

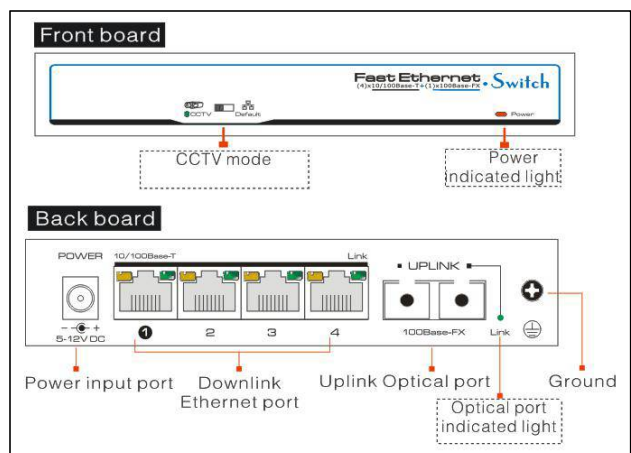
## Application



## Physical Features



## Interface drawing



Specification

Model	UTP3-SW04-FX
Downstream Ports	4*10/100Base-TX
Uplink Ports	1*10/100Base-FX/SC , Single mode of double fiber
Network Standard	IEEE802.3 、IEEE802.3u、IEEE802.3X
Switch Capacity	1Gbps
Throughput	0.74Mpps
Switch Processing Scheme	Store and Forward
Memory Buffer	768K
MAC Table	2K
Lightning protection	6KV Execute : IEC61000-4-5
ESD	6KV Contact discharge 8KV Air discharge Execute : IEC61000-4-2
Power Supply	DC 5V~12V
Power Dissipation	<5W
Work temperature	-10°C~55°C
Storage temperature	-40°C~85°C
Humidity(Non-condensin)	5%-95%
Dimension ( L×W×H )	135mm×86mm×27mm
Weight	343g
Regulator	CE、FCC、ROHS

Package List

Designation	Quantity
UTP3-SW04-FX	1
Power Adapter	1
Accessory	1
User Manual	1

Related Products

Designation	Model
4 Ports Fast Switch	UTP3-SW04-TX
8 Ports Fast Switch	UTP3-SW08-TX
8 Ports Fast Switch	UTP3-SW08-FX