

UOF-SW08-AS20KM



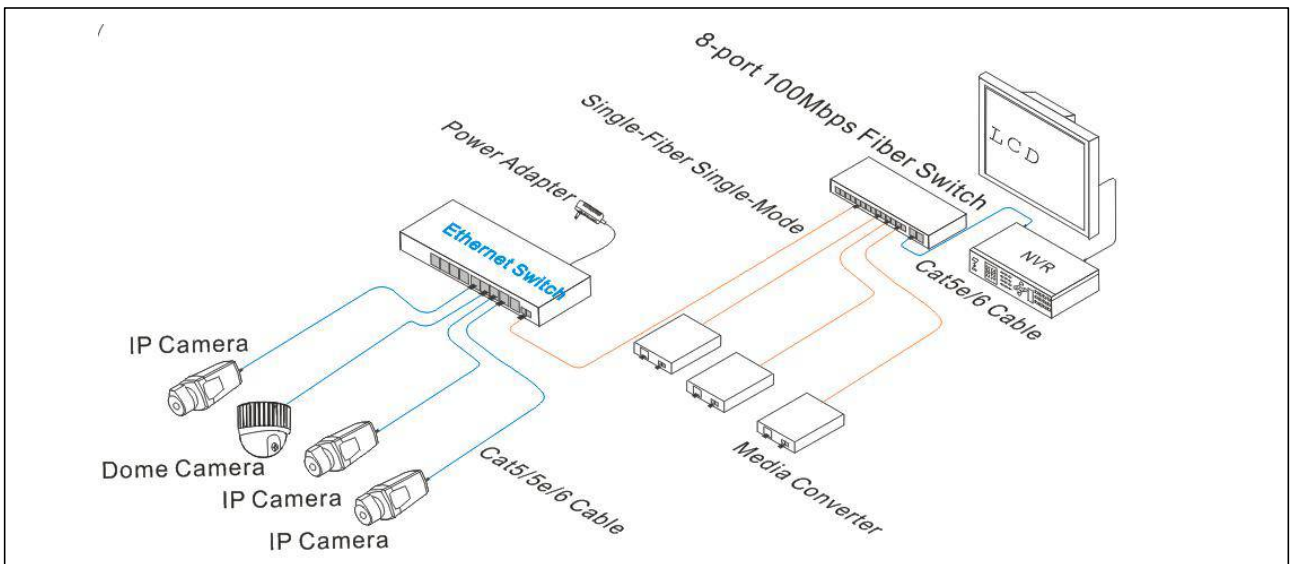
- Provide 8* 100Mbps downlink fiber ports, which are 1x9 packaged, single mode single fiber 1550nm T/1310nm R. Adopt SC connector, max. 20km transmission distance;
- Provide 2* gigabit Ethernet Ports, which support 10/100/1000 adaptive, Full-Duplex/Half-Duplex and MDI/MDI-X;
- Built-in power supply, mains on load;
- Adopt fanless design, metal shell effective to heat dissipation, keep working stable;
- Quick installation, easy operation, convenient to desktop and rack installation.



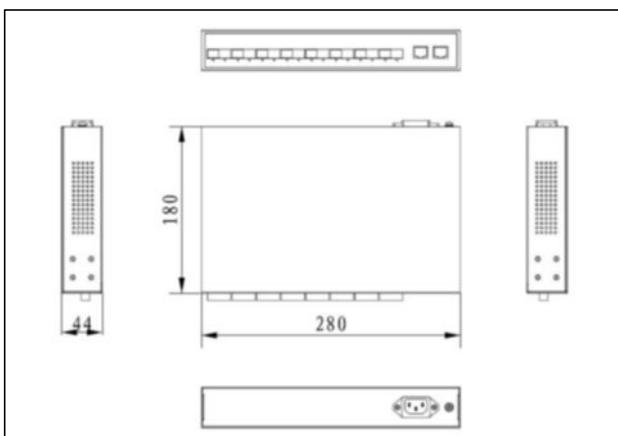
Introduction

8-port 100Mbps Fiber Switch is an unmanaged fiber switch provides with 8 * 100Mbps downlink 1×9 packaged single-mode fiber slots and 2* 1000Mbps Ethernet ports. It complies with IEEE802.3/802.3u and is designed for network video security surveillance systems and network projects.

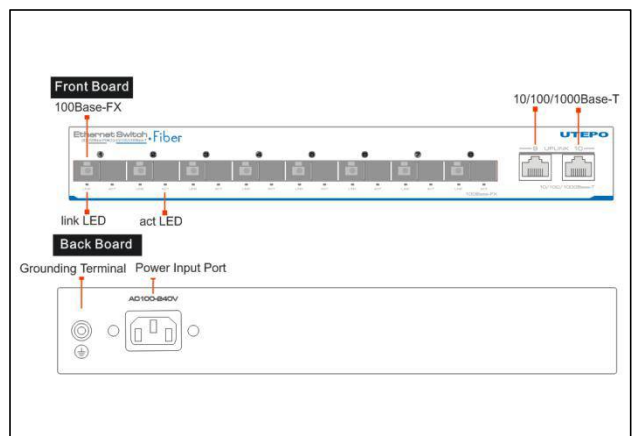
Application



Physical Features



Interface drawing



Specification

Model	UOF-SW08-AS20KM
Downstream Ports	8* 10/100Base-FX/SC
Uplink Ports	2*10/100/1000Base-T
Network Standard	IEEE802.3、IEEE802.3u、IEEE802.3ab、IEEE802.3 X
Switch Capacity	7.2Gbps
Throughput	4.17Mpps
Switch Processing Scheme	Store and Forward
MAC Table	2K
Lightning protection	6KV Execute : IEC61000-4-5
ESD	6KV Contact discharge 8KV Air discharge Execute : IEC61000-4-2
Power Supply	AC 100V~240V、60/50HZ
Power Dissipation	<10W
Work temperature	-10°C~55°C
Storage temperature	-40°C~85°C
Humidity(Non-condensin)	5%-95%
Dimension (L×W×H)	280mm×180mm×44mm
Weight	1.5kg
Regulator	CE、FCC、ROHS

Package List

Designation	Quantity
UOF-SW08-AS20KM	1
AC Power Cable	1
Accessory	1
User Manual	1

Related Products

Designation	Model
8 Ports Fast Ethernet Switch	UTP3-SW08-FX
4 Ports Fast Ethernet Switch	UTP3-SW04-FX