

UTP3-VER01-PoE



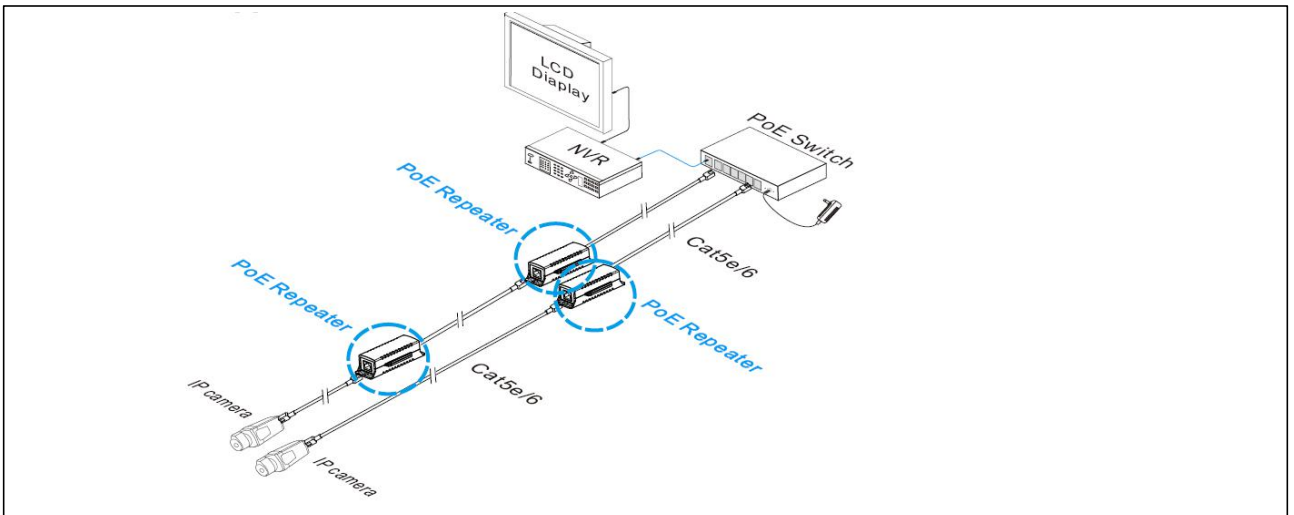
- Each piece can extend data and power signal to 100m and cascade connection up to 400m;
- Comply with IEEE 802.3u, 100Base-TX and IEEE 802.3 af/at;
- Real-time, 0 time-delay, no-store & forward technology;
- Good ESD and surge protection ability;
- Plug-and-play, no software and agreement transformation necessary;
- Built-in splicing slot on both sides, magnetic attraction and hanger on the bottom enables multiple installation methods: wall-mounting, splicing and adsorption



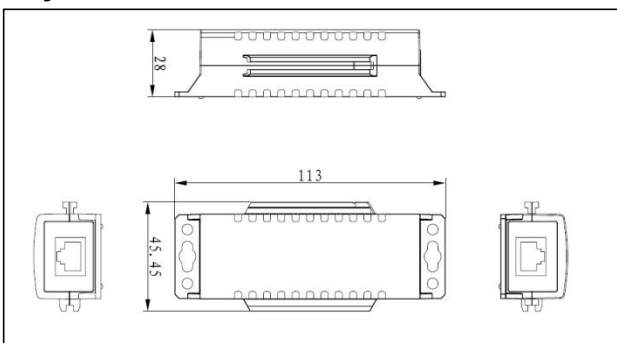
Introduction

The UTP3-VER01-POE transmits Ethernet data and power through one single Ethernet cable, which solves the transmission distance limitation of devices like network camera and so on. The product complies with IEEE802.3u 100Base-TX and IEEE802.3 af/at. The Max power consumption transmission can up to 30 watts, which can supply 25.4 watts power consumption for terminal devices. The product can extend to 100M and thus the cascading distance can up to 400m after be cascaded for several times. And it can support 100Mbps full-duplex transmission mode with good protection ability of anti-ESD and anti-surge. The special design of built-in splicing slot on both sides and magnetic attraction as well as hanger on the bottom enables multiple installation methods of wall mounting, splicing and adsorption. Above all, the product can give a better systematic solution of transmission distance and power supplying for network camera and other device

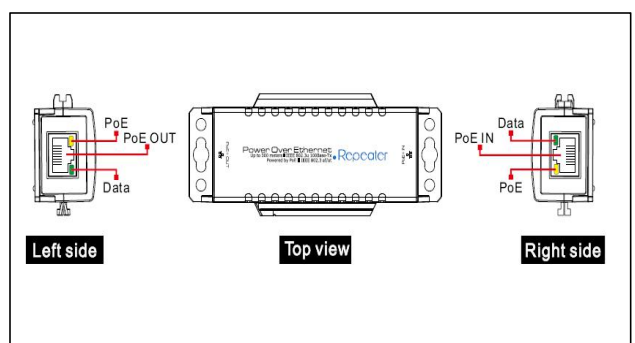
Application



Physical Features



Interface drawing



Specification

Model	UTP3-VER01-PoE
PoE In Port	1* 10/100Base-Tx
PoE Out Port	1* 10/100Base-Tx
Transmission Media	Cat5e/6
Transmission distance	Max: 400m
Network standard	IEEE802.3、IEEE802.3u
Delay	< 20us
PoE Standard	802.3af/at
PsE Type	End-span and Mid-span
Power Pin Assignment	1/2(+),3/6(-) ; 4/5(-),7/8(+)
PoE Power Output	30w
Lightning protection	4KV Execute : IEC61000-4-5
ESD	6KV Contact discharge 8KV Air discharge Execute : IEC61000-4-2
Power Supply	PoE
Power Dissipation	< 3W
Work temperature	-10°C~55°C
Storage temperature	-40°C~85°C
Humidity(Non-condensin)	5%-95%
Dimension (L×W×H)	113mm×45.5mm×29mm
Weight	50g
EMC/Safety	CE、FCC、ROHS

Package List

Designation	Quantity
UTP3-VER01-PoE	1
User Manual	1

Related Products

Designation	Model
PoE Ethernet Repeater	UTP7201ER-PoE