

Switch Datasheet | UTP7304GE, UTP7308GE, UTP7304GE-POE, UTP7308GE-POE  
**Industrial 4/8-Port Gigabit 2/4-Port Gigabit SFP L2 Managed Ethernet Switch**  
**Industrial 4/8-Port Gigabit PoE+ 2/4-Port Gigabit SFP L2 Managed Ethernet Switch**

## Overview

This series contains 4 types:

- UTP7304GE: Industrial 4-Port Gigabit 2-Port Gigabit SFP L2 Managed Ethernet Switch
- UTP7308GE: Industrial 8-Port Gigabit 4-Port Gigabit SFP L2 Managed Ethernet Switch
- UTP7304GE-POE: Industrial 4-Port Gigabit PoE+ 2-Port Gigabit SFP L2 Managed Ethernet Switch
- UTP7308GE-POE: Industrial 8-Port Gigabit PoE+ 4-Port Gigabit SFP L2 Managed Ethernet Switch

This series switch provides 4/8 Gigabit Ethernet RJ-45 ports and 2/4 Gigabit SFP uplink ports. The PoE types meet IEEE 802.3af/at standard. All RJ-45 ports support Power-over-Ethernet (PoE+). Port 1 delivers 60W and the other RJ-45 ports delivers 30W power per port. The function can be configured via software.

This series switch has extensive L2 management functions, such as 802.1Q VLAN, 802.1p QoS, STP/RSTP, Link aggregation and DHCP. It can be easily managed via a WEB GUI (http/https), CLI (telnet/ssh/console) or SNMP.

## Features and Highlights



### Abundant Interfaces

- UTP7304GE: 4\*10/100/1000 Base-T RJ-45 ports, 2\*1000 Base-X SFP ports
- UTP7308GE: 8\*10/100/1000 Base-T RJ-45 ports, 4\*1000 Base-X SFP ports
- UTP7304GE-POE: 4\*10/100/1000 Base-T PoE+ RJ-45 ports, 2\*1000 Base-X SFP ports
- UTP7308GE-POE: 8\*10/100/1000 Base-T PoE+ RJ-45 ports, 4\*1000 Base-X SFP ports

### Industrial Design

- Working temperature:-40°C ~75°C
- Redundant power supply
- 6kV surge immunity
- 6kV contact discharge, 8kV air discharge ESD protection
- Relay alarm for power off, cable link down and PoE link down
- Fan-less metal shell design
- DIN-rail/wall mounted/desktop installation



### Layer 2 Management Function

- 802.1Q VLAN
- 802.1p QoS
- SNMP
- STP/RSTP
- Fast-Ring(UTP7304GE and UTP7304GE-POE support one key smart Fast Ring)
- ERPS
- Link Aggregation
- DHCP snooping
- One-key smart mode: CCTV, LOCK, RING, ONLINE

# Specifications

Items	UTP7304GE	UTP7308GE
<b>Hardware Specifications</b>		
Downlink Ports	4*10/100/1000Base-T RJ-45(Auto-MDI/MDI-X)	8*10/100/1000Base-T RJ-45(Auto-MDI/MDI-X)
Uplink Ports	2*1000Base-X SFP	4*1000Base-X SFP
Console Port	1*RS-232 console port(115200,8,N,1)	
Alarm Output	1*Relay	
LED Indicators	2*Power indicators 1*Alarm indicator 2*SFP port indicators 4*Port Link/ACT indicators 1*Fast Ring indicator	2*Power indicators 1*Alarm indicator 4*SFP port indicators 8*Port Link/ACT indicators
Init Button	Short press to restart, Long press >5s to initialize the system	
DIP Switch	Default mode: Disable Fast Ring function Ring mode: Enable Fast Ring on X1~X2 SFP ports	N/A
Input Voltage	12~57V DC	
Power Consumption	≤20W (Full load, not including PoE)	≤30W (Full load, not including PoE)
Dimensions(W*D*H)	163mm*110.5mm*46.5mm	
Material	Metal shell	
Installation	DIN-rail/Wall mounted/Desktop	
<b>Switch Property</b>		
Standards	IEEE 802.3, IEEE 802.3u, IEEE 802.3ab, IEEE 802.3z, IEEE 802.3x, IEEE 802.1Q, IEEE 802.1p, IEEE 802.3ad, IEEE 802.1D, IEEE 802.1X	
Forwarding Modes	Store and Forward	
Packet Buffer	4Mbit	
MAC Table	8k	
Switching Capacity	12Gbps/non-blocking	24Gbps/non-blocking
Packet Forwarding Rate	8.9Mpps	17.9Mpps
Jumbo Frame	10k bytes	
<b>Reliability</b>		
Surge Immunity	6kV, Standard: IEC6000-4-5	
ESD Protection	6kV Contact Discharge, 8kV Air Discharge, Standard:IEC61000-4-2	8kV Contact Discharge,15kV Air Discharge, Standard:IEC61000-4-2
Operating Temperature	-40°C ~75°C	
Storage Temperature	-40°C ~85°C	
Operating Humidity	5%~95%(Non-condensation)	

## Specifications

Items	UTP7304GE-POE	UTP7308GE-POE
<b>Hardware Specifications</b>		
Downlink Ports	4*10/100/1000Base-T PoE+ RJ-45(Auto-MDI/MDI-X)	8*10/100/1000Base-T PoE+ RJ-45(Auto-MDI/MDI-X)
Uplink Ports	2*1000Base-X SFP	4*1000Base-X SFP
Console Port	1*RS-232 console port(115200,8,N,1)	
Alarm Output	1*Relay	
LED Indicators	2*Power indicators 1*Alarm indicator 2*SFP port indicators 4*Port Link/ACT indicators 4*PoE indicators(For PoE type only) 1*Fast Ring indicator	2*Power indicators 1*Alarm indicator 4*SFP port indicators 8*Port Link/ACT indicators 8*PoE indicators(For PoE type only)
Init Button	Short press to restart, Long press >5s to initialize the system	
DIP Switch	Default mode: Disable Fast Ring function Ring mode: Enable Fast Ring on X1~X2 SFP ports	N/A
Input Voltage	48~57V DC	
Power Consumption	≤20W (Full load, not including PoE)	≤30W (Full load, not including PoE)
Dimensions(W*D*H)	163mm*110.5mm*46.5mm	
Material	Metal shell	
Installation	DIN-rail/Wall mounted/Desktop	
<b>Switch Property</b>		
Standards	IEEE 802.3, IEEE 802.3u, IEEE 802.3ab, IEEE 802.3z, IEEE 802.3x, IEEE 802.1Q, IEEE 802.1p, IEEE 802.3ad, IEEE 802.1D, IEEE 802.1X	
Forwarding Modes	Store and Forward	
Packet Buffer	4Mbit	
MAC Table	8k	
Switching Capacity	12Gbps/non-blocking	24Gbps/non-blocking
Packet Forwarding Rate	8.9Mpps	17.9Mpps
Jumbo Frame	10k bytes	
<b>Reliability</b>		
Surge Immunity	6kV, Standard: IEC6000-4-5	
ESD Protection	6kV Contact Discharge, 8kV Air Discharge, Standard:IEC61000-4-2	8kV Contact Discharge,15kV Air Discharge, Standard:IEC61000-4-2
Operating Temperature	-40°C ~75°C	
Storage Temperature	-40°C ~85°C	
Operating Humidity	5%~95%(Non-condensation)	
<b>PoE</b>		
PoE Standard	IEEE 802.3af/at(PSE)	
PoE Supply Type	End-span	
PoE Pin Assignment	1/2(+),3/6(-)	
PoE Budget	60W PoE for port 1, 30W PoE for other ports	60W PoE for port 1, 30W PoE for other ports

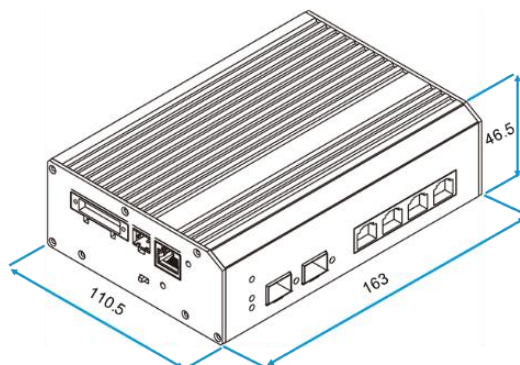
# Software Architecture

Items	
<b>System Status</b>	
System Status	<ul style="list-style-type: none"> <li>• Device Name</li> <li>• MAC Address</li> <li>• Firmware Version</li> <li>• Hardware Version</li> <li>• System Time</li> <li>• Update Time</li> </ul>
<b>Port Configuration</b>	
Port Setting	<ul style="list-style-type: none"> <li>• Port State</li> <li>• Port Speed</li> <li>• Duplex Mode</li> <li>• Traffic Control</li> <li>• Port Range</li> </ul>
Rate Limit	<ul style="list-style-type: none"> <li>• Enable and Disable</li> <li>• Port Range</li> <li>• Input Speed Limit</li> <li>• Output Speed Limit</li> </ul>
Storm Control	<ul style="list-style-type: none"> <li>• Port Range</li> <li>• Broadcast Storm</li> <li>• Multicast Storm</li> <li>• Unknown Unicast Storm</li> </ul>
<b>PoE Setting (Only for UTP7304GE-POE, UTP7308GE-POE)</b>	
Power Control	<ul style="list-style-type: none"> <li>• Power Setting</li> <li>• Power Status</li> <li>• Port Status and Control</li> </ul>
Schedule	<ul style="list-style-type: none"> <li>• Restart Setting</li> <li>• Working Setting</li> </ul>
<b>VLAN</b>	
VLAN	<ul style="list-style-type: none"> <li>• Port-based VLAN</li> <li>• VLAN Forward</li> <li>• Voice VLAN OUI</li> <li>• PVLAN</li> <li>• MAC-based VLAN</li> <li>• Protocol-based VLAN</li> <li>• GVRP</li> <li>• QinQ</li> </ul>
<b>QoS</b>	
802.1p QoS	<ul style="list-style-type: none"> <li>• 802.1p Priority</li> <li>• Output Queue</li> </ul>
DSCP	<ul style="list-style-type: none"> <li>• DSCP Value Range</li> <li>• Output Queue</li> </ul>
<b>Redundancy</b>	
LACP	<ul style="list-style-type: none"> <li>• Trunk Setting</li> </ul>
Fast-Ring Protection	<ul style="list-style-type: none"> <li>• Fast-Ring Network Group 1</li> <li>• Fast-Ring Network Group 2</li> </ul>
Rapid Spanning Tree	<ul style="list-style-type: none"> <li>• STP Version</li> <li>• Device Priority</li> <li>• Message Sending Period</li> <li>• Message Maximum Lifetime</li> <li>• Port State Transition Delay</li> <li>• This Bridge Update Message</li> <li>• Modify Configuration</li> </ul>
Loopback Protection	<ul style="list-style-type: none"> <li>• Protect Automatic Recovery</li> <li>• Disable Loop Port Time</li> <li>• Port Range</li> <li>• Port Loop Detection</li> </ul>
ERPS Ring	<ul style="list-style-type: none"> <li>• Ring Number</li> <li>• East Interface</li> <li>• West Interface</li> </ul>
ERPS Instance	<ul style="list-style-type: none"> <li>• EPRS Instance Name</li> <li>• ERPS Instance ID</li> <li>• ERPS Ring Level</li> <li>• RAPS VLAN</li> <li>• Owner Interface</li> <li>• Subring Block</li> <li>• Associated Instance</li> </ul>
<b>Port Reliability</b>	
Static Address Lock	<ul style="list-style-type: none"> <li>• Enable and Disable</li> <li>• MAC Address, VLAN ID, Port</li> </ul>
802.1X Authentication	<ul style="list-style-type: none"> <li>• Authentication Timer</li> <li>• Radius Server Setting</li> <li>• Port Setting</li> </ul>
Radius Database	<ul style="list-style-type: none"> <li>• Radius Server Setting</li> </ul>
<b>Network Management</b>	
SNMP	<ul style="list-style-type: none"> <li>• SNMP Server</li> <li>• SNMP Version</li> <li>• Read-only Group Name</li> <li>• Read and Write Group Name</li> <li>• SNMP V3 Setting</li> </ul>
Port Mirroring	<ul style="list-style-type: none"> <li>• Monitor Port</li> <li>• Mirror Port Range</li> <li>• Collect Data</li> </ul>
Email Alarm	<ul style="list-style-type: none"> <li>• Mail Server Setting</li> <li>• Receiver Address</li> <li>• Mail Replay Address</li> <li>• Mail Interval</li> </ul>
IGMP Snooping	<ul style="list-style-type: none"> <li>• IGMP Query</li> <li>• IGMP Query Interval</li> <li>• Group Member Alive Time</li> </ul>
DHCP Server	<ul style="list-style-type: none"> <li>• Client Lease Time</li> <li>• DNS Address</li> <li>• Win Server</li> <li>• Network Interface</li> <li>• Default Gateway</li> <li>• Start IP Address</li> <li>• Max Client Number</li> </ul>
DHCP Relay	<ul style="list-style-type: none"> <li>• Option 82</li> <li>• DHCP Server Address</li> </ul>
DHCP Snooping	<ul style="list-style-type: none"> <li>• Trust Port Setting</li> </ul>
DHCPv6 Snooping	<ul style="list-style-type: none"> <li>• Trust Port Setting</li> </ul>
Telnet Setting	<ul style="list-style-type: none"> <li>• Enable and Disable</li> </ul>
<b>Network Information</b>	
Packet Statistics	<ul style="list-style-type: none"> <li>• Sent Packet Statistics</li> <li>• Received Packet Statistics</li> </ul>
Traffic Statistics	<ul style="list-style-type: none"> <li>• Sent Frame Statistics</li> <li>• Received Frame Statistics</li> </ul>
MAC Address Table	<ul style="list-style-type: none"> <li>• MAC Address Table</li> <li>• Sort Type</li> </ul>
<b>System Management</b>	
IP Address	<ul style="list-style-type: none"> <li>• Manage VLAN</li> <li>• DHCP Client</li> <li>• IPv4 Address</li> <li>• Default Gateway</li> <li>• DNS Address</li> <li>• IPv6 Address</li> </ul>
User Setting	<ul style="list-style-type: none"> <li>• Access Privilege</li> <li>• Account Setting</li> </ul>
Syslog	<ul style="list-style-type: none"> <li>• Log Query, Download, Clearing</li> <li>• Restore Factory Value</li> <li>• System Reboot</li> </ul>
File Management	<ul style="list-style-type: none"> <li>• Download Configuration File</li> <li>• Upload Configuration File</li> <li>• System Upgrade</li> </ul>
Web Access	<ul style="list-style-type: none"> <li>• HTTP</li> <li>• HTTPS</li> </ul>
Timing Start	<ul style="list-style-type: none"> <li>• Restart Every Day/Week/Month</li> </ul>
Alarm Management	<ul style="list-style-type: none"> <li>• Port Network</li> <li>• Port PoE</li> </ul>
One Key Smart	<ul style="list-style-type: none"> <li>• CCTV Mode</li> <li>• Device Lock</li> <li>• Fast Ring</li> <li>• Device Online (PoE watchdog)</li> </ul>

# Appearances and Dimensions

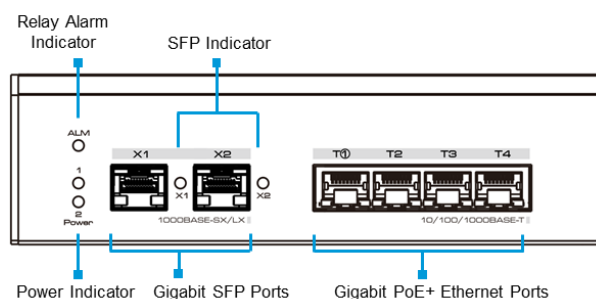
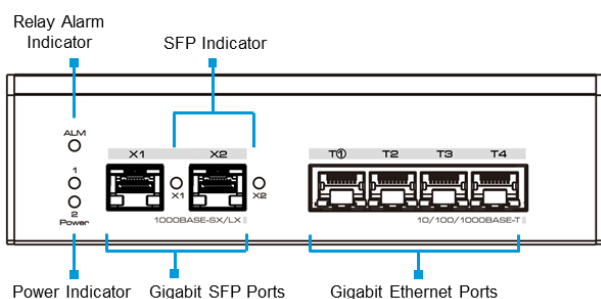
UTP7304GE, UTP7304GE-POE

Dimensions(mm)

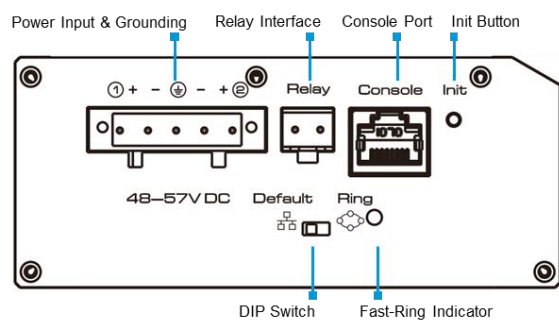
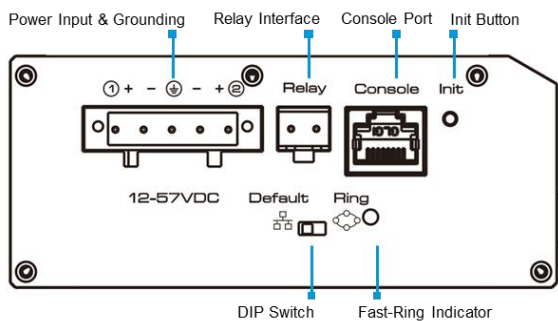


UTP7304GE Front Panel

UTP7304GE-POE Front Panel



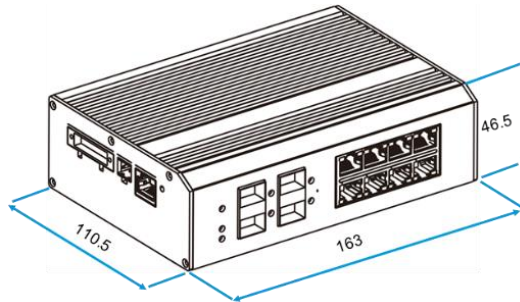
Side Panel



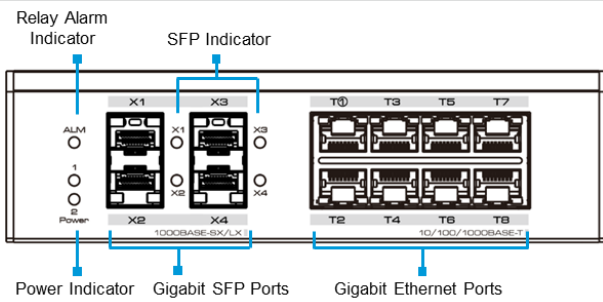
# Appearances and Dimensions

UTP7308GE, UTP7308GE-POE

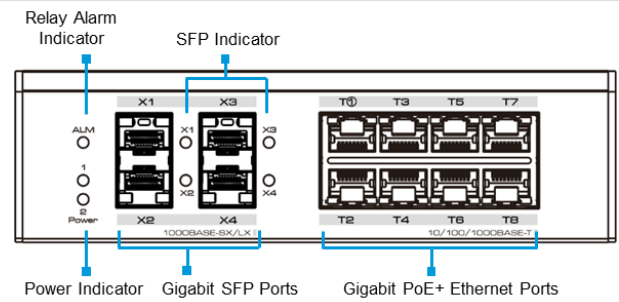
Dimensions(mm)



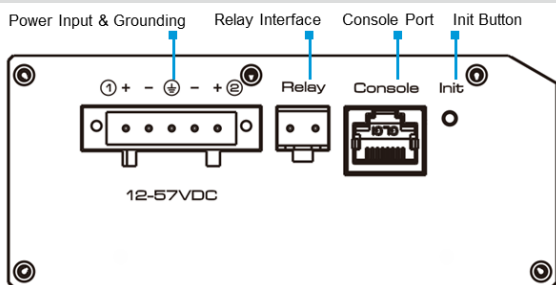
UTP7308GE Front Panel



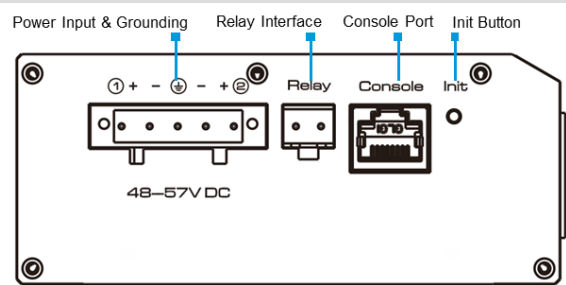
UTP7308GE-POE Front Panel



UTP7308GE Side Panel



UTP7308GE-POE Side Panel



## Packing List

Welcome to order our products. After purchasing, you will receive:

Items	Quantity
Switch	1 pc
Mounting Accessory	1 set
Power Adapter(Optional)	1 pc
Quick Installation Guide	1 pc

## More Information

For more information, please visit:

[www.utepo.net](http://www.utepo.net)

### SHENZHEN UTEPO TECH LTD.

Head quarter: 5F, Building B, Tiange Science and Technology Park, NO.2, Luozu Industrial Avenue, Shi'yan Street, Bao'an District, Shenzhen, Guangdong, China

Tel: +86-755-83898016-863 or +86-1501-2669-765 (Sales)

Email: [info@utepo.net](mailto:info@utepo.net) (Sales), [support@utepo.net](mailto:support@utepo.net) (Technical support)

©2023 SHENZHEN UTEPO TECH LTD. All Rights Reserved.

Version, V2.2, updated 2023-05-27.

The information in this document is subject to change without notice.

Every effort has been made in the preparation of this document to ensure accuracy of the contents, but all statements, information, and recommendations in this document do not constitute a warranty of any kind, express or implied.